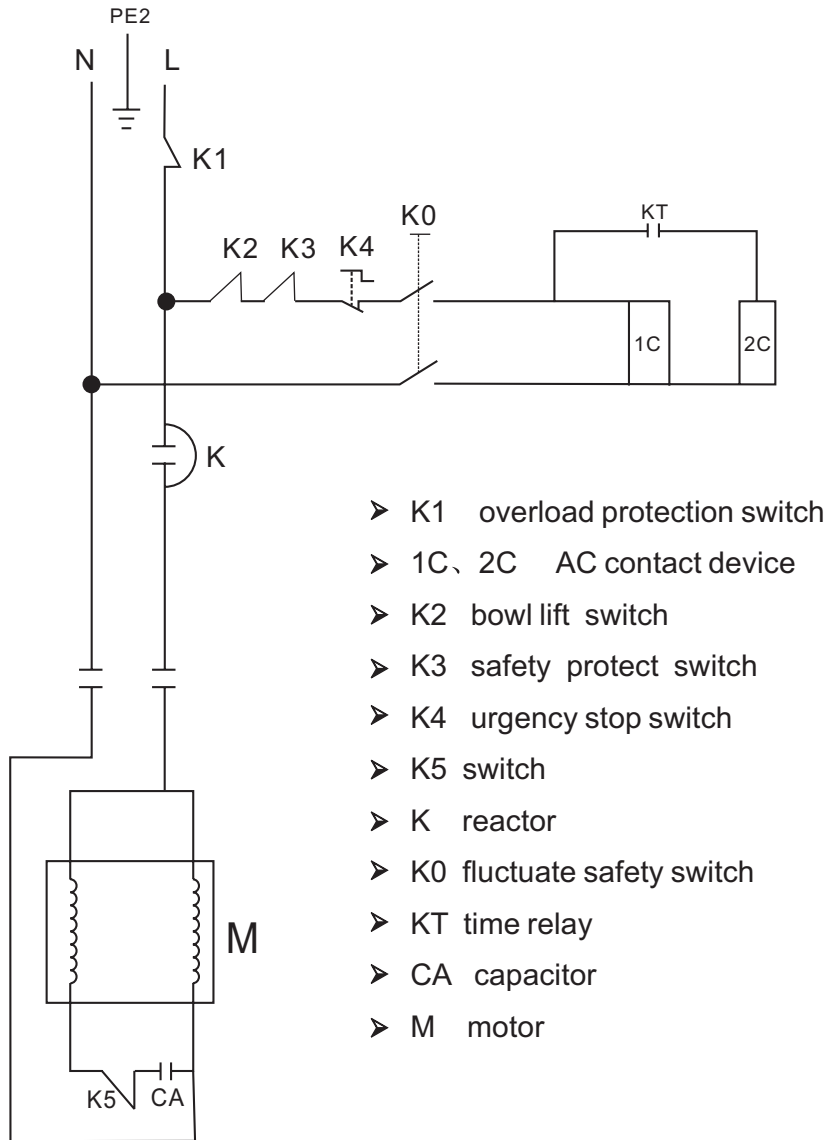


B10F/B15F Mixer Parts List

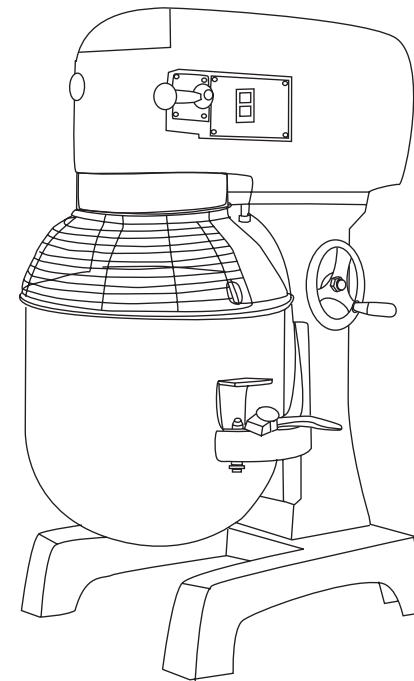
ELECTRIC DIAGRAM



- K1 overload protection switch
- 1C、2C AC contact device
- K2 bowl lift switch
- K3 safety protect switch
- K4 urgency stop switch
- K5 switch
- K reactor
- K0 fluctuate safety switch
- KT time relay
- CA capacitor
- M motor

B10F / B15F

MIXER USER MANUAL



INDEX

PARTS CATALOG OVERVIEW	1
FIGURE 1 TRANSMISSION CASE, ARM, STAND	2
FIGURE 2 AXLE	3
FIGURE 3 GEAR AXLE	4
FIGURE 4 MOTOR UNIT	5
FIGURE 5 FORK AND SPEED SHAFT	6
FIGURE 6 ARM AND HANDWHEEL TYPE BOWL LIFTER UNIT	7
FIGURE 7 HANDGRIP BOWL LIFTER UNIT	8
FIGURE 8 TURNING PLATE AND MIXING AXLE	9
FIGURE 9 STANDARD ACCESSORIES	10
OPERATION INSTRUCTION	11
WARNING AND SPECIAL ATTENTION	12
TROUBLE SHOOTING AND SPECIFICATION	13
ELECTRIC DIAGRAM	14




B10F/B15F Mixer Parts List

TROUBLE SHOOTING AND SPECIFICATION

TROUBLE SHOOTING

Trouble	Possible Causes	Re-cover
The axle can't work when operate the machine.	Poor contact of the electrical equipment.	Check the plug.
The mixing bowl out of position.	Moving direction is not correct.	
Leak oil.	Sealing washer is damaged.	Change.
Defficult to move the bowl up and down.	Slideway is rusted.	Clean the slideway and lubrication.
The motor is overheat and speed down.	The voltage is not enough, or incorrect speed.	Check the voltage or use lower speed.
Noise and over heat.	Poor lubrication.	Add or change lubrication.
Mixer touch the bowl.	The mixing device or bowl deformed.	Repair or change the bowl or mixing device.

SPECIFICATION

Type	B10F	B10F	B15F	B15F	
Mixer (L)	10	10	15	15	
Power Supply (V)	220V / 230V	110V / 120V	220V / 230V	110V / 120V	
Input Power (W)	600	600	600	600	
Mixing Speed (r.p.m)		480	508	480	508
		244	258	244	258
		148	156	148	156
Maxflour Capacity(kg)	2.5	2.5	3.5	3.5	

B10F/B15F Mixer Parts List

WARNING AND SPECIAL ATTENTION

WARNING

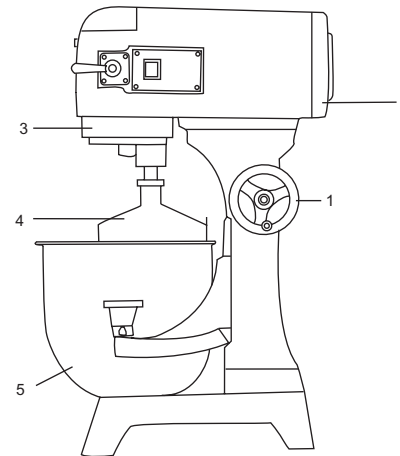
- 1 DON'T USE WATER PIPE TO WASH THE MIXER DIRECTLY;
- 2 PLEASE PULL OFF THE PLUG BEFORE MAINTAINNING, AND MAKE IT MAINTAINED BY PROFESSIONALS;
- 3 DON'T TOUCH THE SWITCHS AND PLUG WITH WET HAND;
- 4 IF BROKEN, PLEASE STOP USING AT ONCE
- 5 THERE IS A GROUNDED NUT (SIGNED " \perp ") IN THE MACHINE, PLEASE RECOVER IT TO ORIGIN CONDITION, DON'T CANCEL THE GROUNDED LINE;
- 6 DON'T PUT HANDS INTO THE BOWL OR TOUCH THE MIXING DEVICES WHEN WORKING;
- 7 DON'T ALLOW THE MINOR CLOSE TO THE MACHINE;
- 8 THE MACHINE SHOULD BE FIXED ON THE DRY WOODEN SPLINT AND WORK IN SAFE AREA;
- 9 IF THE ELECTRICAL WIRE IS BROKEN, PLEASE CHANGE IT BY PROFECTIONALS.

SPECIAL ATTENTION

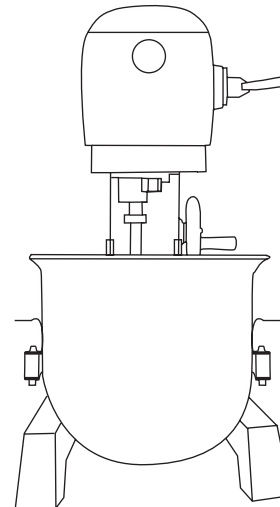
- 1 BEFORE USING , PLEASE CLEAN THE BOWL AND THE MIXING DEVICES CAREFULLY, AND THEN INSTALL THE BOWL ONTO THE MACHINE CORRECTLY AND TIGHTLY;
- 2 WHEN CHOOSING MIXING DEVICES, PLEASE REFER TO THE OPERATION MANUAL TO CHOSE THE CORRECT SPEED, OR IT WILL DESTORY THE INSIDE SPARE PARTS AND SHORTEN THE USING LIFE OF THE MACHIE;
- 3 AFTER USING, PLEASE POWER OFF THE MACHINE, AND PUT THE BOWL AND DEVICES IN THE SAFE AND CLEAN PLACE AFTER CLEANING;
- 4 KEEP ENVIROMENT ARROUND THE MACHINE DRY、HEALTH AND SAFE.

B10F/B15F Mixer Parts List

PARTS CATALOG OVERVIEW



Item	Description
1	french
2	rear cover
3	ring
4	Mixing device III
5	bowl

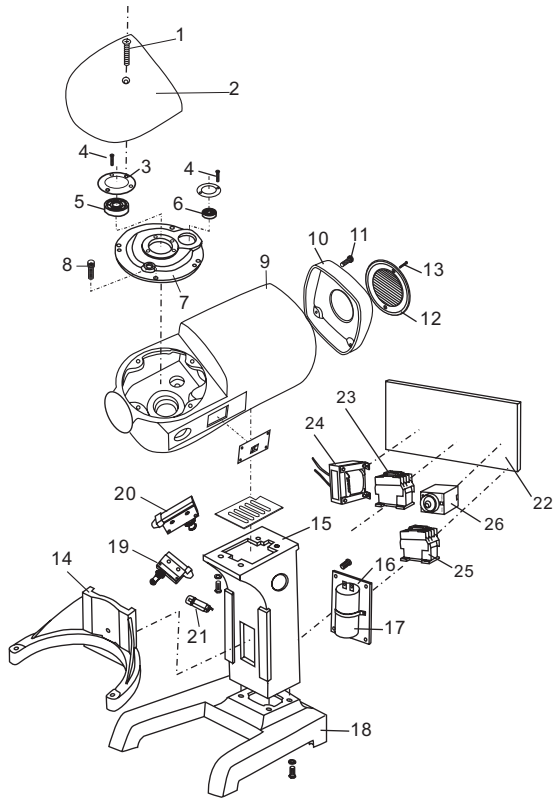


NOTES:

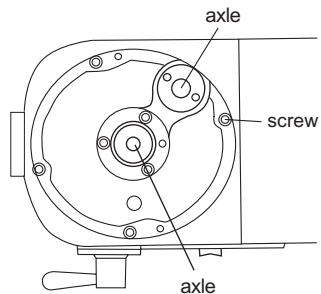
- The no using pipe line sprays to wash the mixer。
- Wet hand in no using contact switch with power supply plug.
- While maintaining the mixer, must pull out first the power supply plug, and from profession the personnel maintains.

B10F/B15F Mixer Parts List

Figure 1 TRANSMISSION CASE, ARM, STAND



Item	Description	Qty
1	screw M5*35	1
2	cover	1
3	plate	1
4	screw M5*12	5
5	bearing 6202	1
6	bearing 6201	1
7	bearing cover	1
8	screw M5*20	4
9	body	1
10	rear cover	1
11	screw M6*55	4
12	breeze window	1
13	screw M5*12	1
14	arm	1
15	stand	1
16	capacitor board	1
17	capacitor	1
18	seat	1
19	safety covering switch	1
20	fluctuate safety switch	1
21	overload protection switch	1
22	board	1
23	AC contact device	1
24	reactor	1
25	AC contact device	1
26	timer relay	1



NOTES

➤ Machine at a factory hour have added to note the superior quality lubricates the grease, usually the circumstance bottom can use for several years, but machine is after maintaining, must replace the lubrication grease.

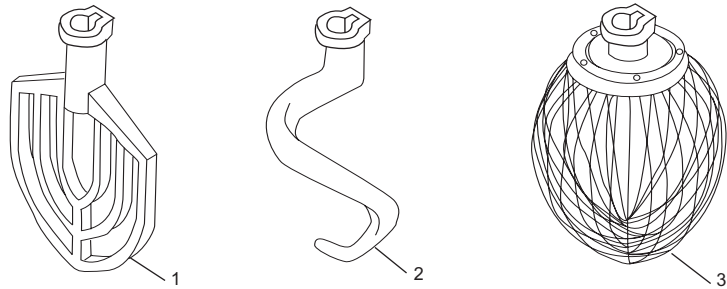
B10F/B15F Mixer Parts List

OPERATION INSTRUCTION

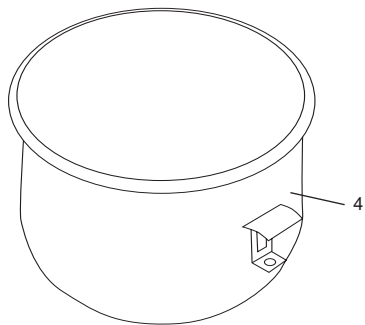
		<p>110V 220V 230V</p> <p>➤ Before using, please check power supply if it match your machine and be sure ground wire is eliable.</p>
		<p>➤ Before testing, please take mixing device off first, in order to avoid damage machine which is match moving direction. It's necessary to change the three-phase machine if the moving direction is not match with arrow.</p>
<p>OFF</p>		<p>➤ For changing the speed: Please stop machine first before change speed in order to avoid damage gear box.</p>
		<p>➤ Mixing: according to the different mixing-material. Choose the different mixing devices and speed.</p>
A		<p>➤ A: Be suitable for mix and stir butter, eggs, and work with in high speed, working time is less than 15 minutes.</p>
B		<p>➤ B: Be suitable for mix and stir stuffing and raw material, and work in middle speed, working time is less than 20 minutes.</p>
C		<p>➤ C: middle position is suitable for mixing dough, working time is less than 30 minutes. Flour water quantity is 40%-50%.</p>

B10F/B15F Mixer Parts List

Figure 9 STANDARD ACCESSORIES



Item	Description	Qty
1	Mixing device I	1
2	Mixing device II	1
3	Mixing device III	1
4	bowl	1

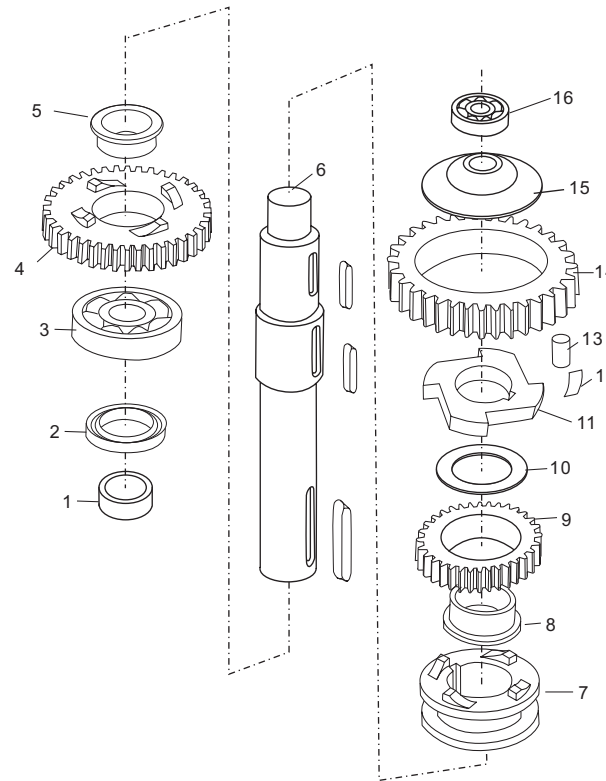


NOTES

- Any agitator is easily installed by simply raising it onto the mixing axle, and then rotating it counter-clockwise on the shaft until into place. To remove, raise the agitator on the shaft until it clears the lock and then rotate clockwise and lower.

B10F/B15F Mixer Parts List

Figure 2 AXLE



Item	Description	Qty
1	cover	1
2	oil seal 25*40*10	1
3	bearing 6204	1
4	big joint gear	1
5	bearing ring	1
6	axle	1
7	joint	1
8	bearing ring	1
9	joint gear	1
10	dividing ring	1
11	engager	1
12	spring	8
13	roller	4
14	gear ring	1
15	plate ring	1
16	bearing 6001	1

NOTES

- Be sure to install correct position (see Figure 2-1) and lubricate all of the pins in the sleeve drive when reassembling.
- Joint (7) must always be raised and lowered smoothly. Be sure joint sleeve as shown in Figure 2-2.
- Check oil seal, if serious oil leaks from drip cup.

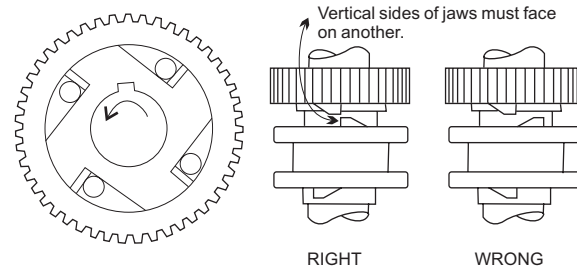
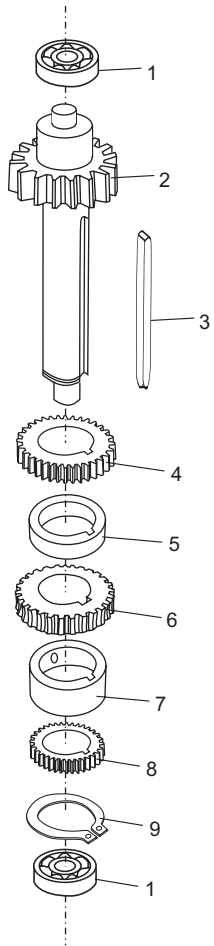


FIGURE 2-1

FIGURE 2-2

B10F/B15F Mixer Parts List

Figure 3 GEAR AXLE



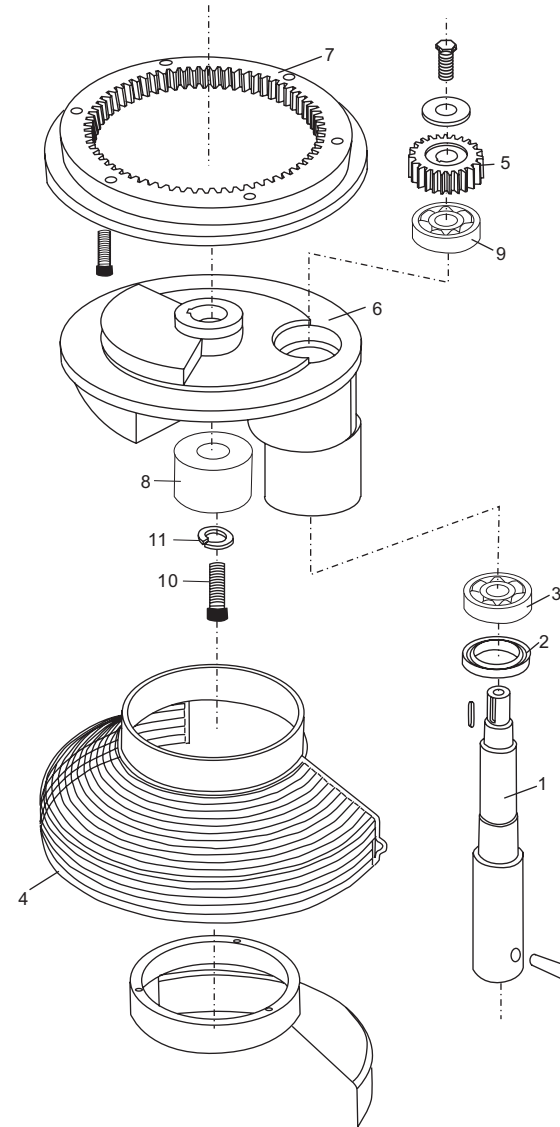
Item	Description	Qty
1	bearing 6001	2
2	gear axle	1
3	key 5*58	1
4	gear	1
5	collar	1
6	gear	1
7	long collar	1
8	gear	1
9	stop ring	1

NOTES

► Be sure that the keys are inserted for each gear.

B10F/B15F Mixer Parts List

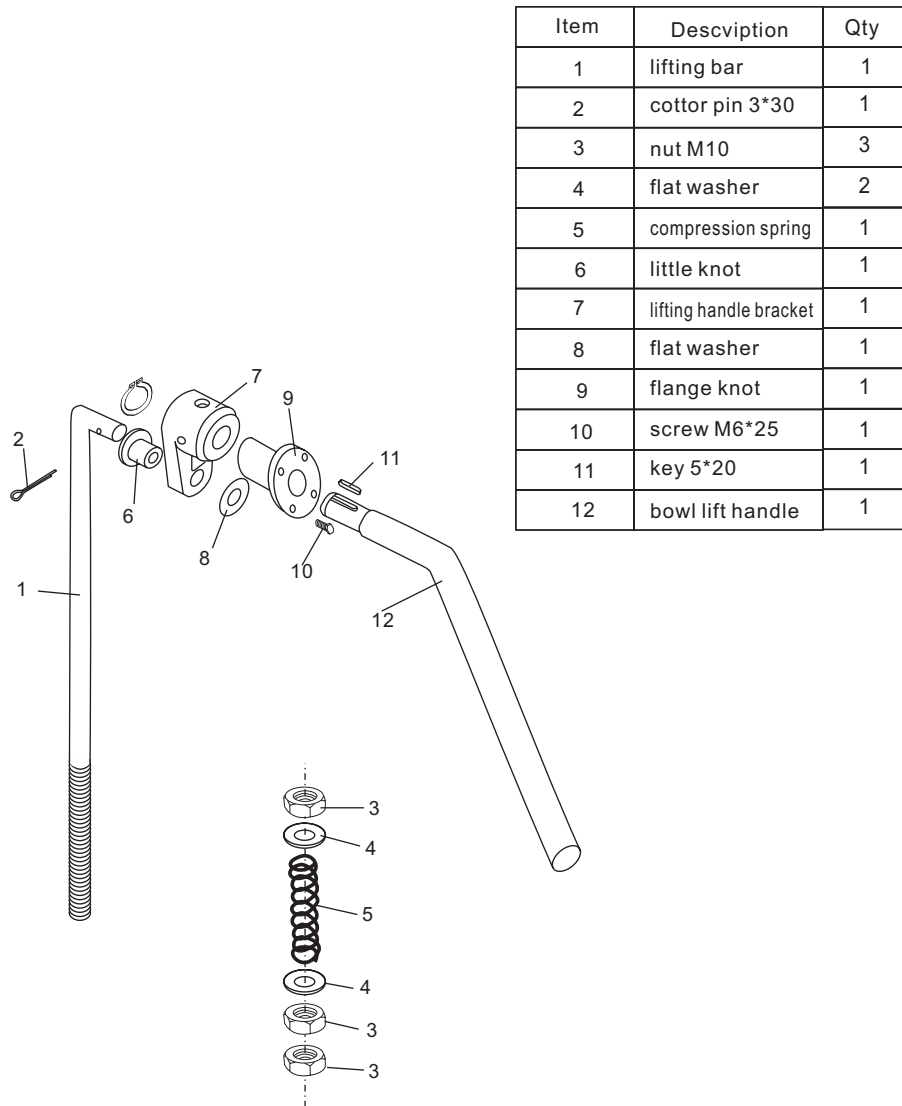
Figure 8 TURNING PLATE AND MIXING AXLE



Item	Description	Qty
1	mixing axle	1
2	Oil seal 20*40*10	1
3	bearing 6003	1
4	safety net	1
5	planetary gear	1
6	turning plate	1
7	inner gear	1
8	cover	1
9	bearing 6203	1
10	screw M8*20	1
11	ring	1

B10F/B15F Mixer Parts List

Figure 7 HANDGRIP TYPE BOWL LIFTER UJINT



B10F/B15F Mixer Parts List

Figure 4 MOTOR UNIT

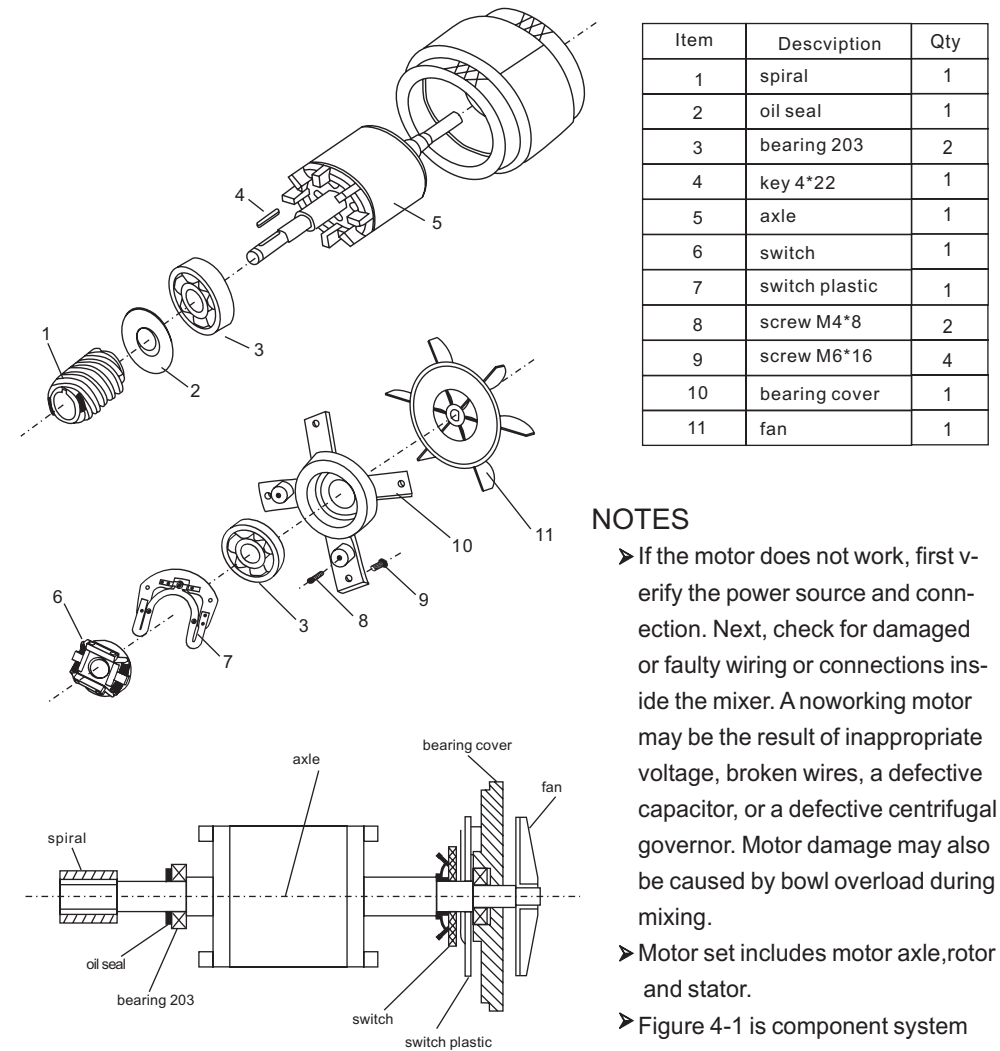


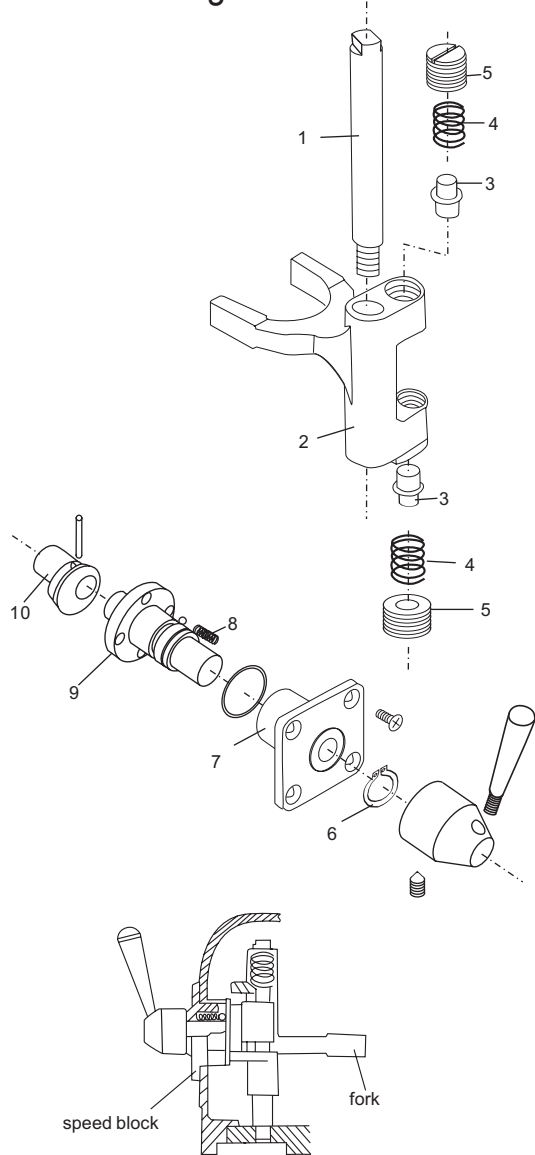
Figure 4-1

NOTES

- If the motor does not work, first verify the power source and connection. Next, check for damaged or faulty wiring or connections inside the mixer. A nonworking motor may be the result of inappropriate voltage, broken wires, a defective capacitor, or a defective centrifugal governor. Motor damage may also be caused by bowl overload during mixing.
- Motor set includes motor axle, rotor and stator.
- Figure 4-1 is component system diagrams of motor.

B10F/B15F Mixer Parts List

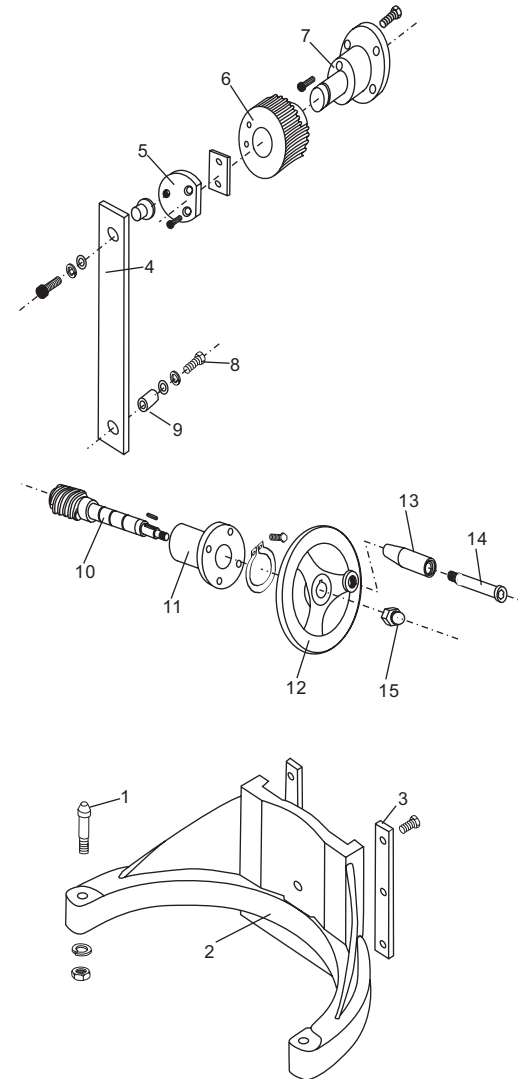
Figure 5 FORK AND SPEED SHAFT



Item	Description	Qty
1	axle	1
2	fork	1
3	shaft	2
4	spring	2
5	nut	2
6	stop ring	1
7	speed block	1
8	spring	2
9	shaft	1
10	plate	1

B10F/B15F Mixer Parts List

Figure 6 ARM AND BOWL LIFTER UNIT



Item	Description	Qty
1	screw	2
2	arm	1
3	plate	2
4	pull pole	1
5	plate	1
6	gear	1
7	brace seat	1
8	screw M8*20	1
9	sleeve	1
10	spiral	1
11	french support	1
12	french	1
13	handle	1
14	handle screw	1
15	nut	1